

Z og C profiler



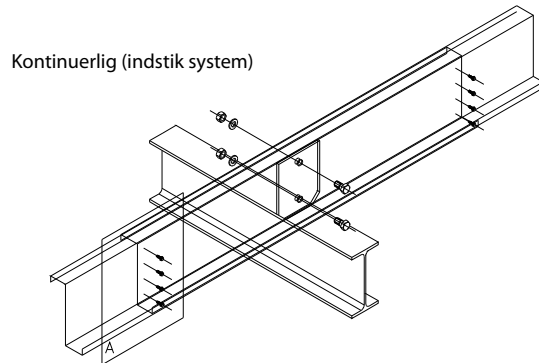
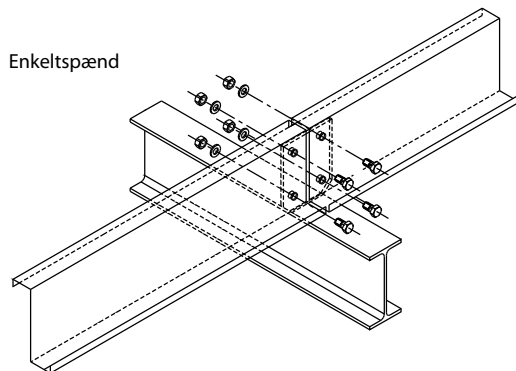
INDHOLD

Z og C profiler	03 - 04
-----------------------	---------

NORDIC PANELS RÅDGIVNING TIL ØGET VÆRDI

Stål åse holder hvad de lover og strækker sig rigtig langt.
Standard sortimentet og åsens fleksible form skaber mulighed
for konstruktive løsninger med mange fordele.

**Kompetent produktvejledning, beregning og stærk logistik bidrager til iøjens-
faldende forskel og tryghed i Nordic Panels leverancer.**



Profiles Z, C, Σ

Z, C, Σ are manufactured from cold rolled steel. Their stiffness and strength parameters allow for wide application in load-bearing structures. Among most typical use of such profiles are the following:

- construction of casing and partition walls,
- laying of floor beams and eaves,
- wall beams,
- roof purlins.

These sections are the supplement to light development system and cladding for industrial, commercial and service facilities.

Openings

Z, C, Σ sections may have assembly openings (\varnothing 14 mm, \varnothing 18 mm, bean shaped 19x25 mm). This makes their assembly with screws or rivets easier. Because of the possibility to

disassemble the construction and its reuse, it is recommended to use screws.

Material

Galvanised steel tape (grade S280 GD or S350 GD), from 1.50 to 3.00 mm thick. Depending on their use and requirements, sections do not need any additional protection, although they can be powder painted.

